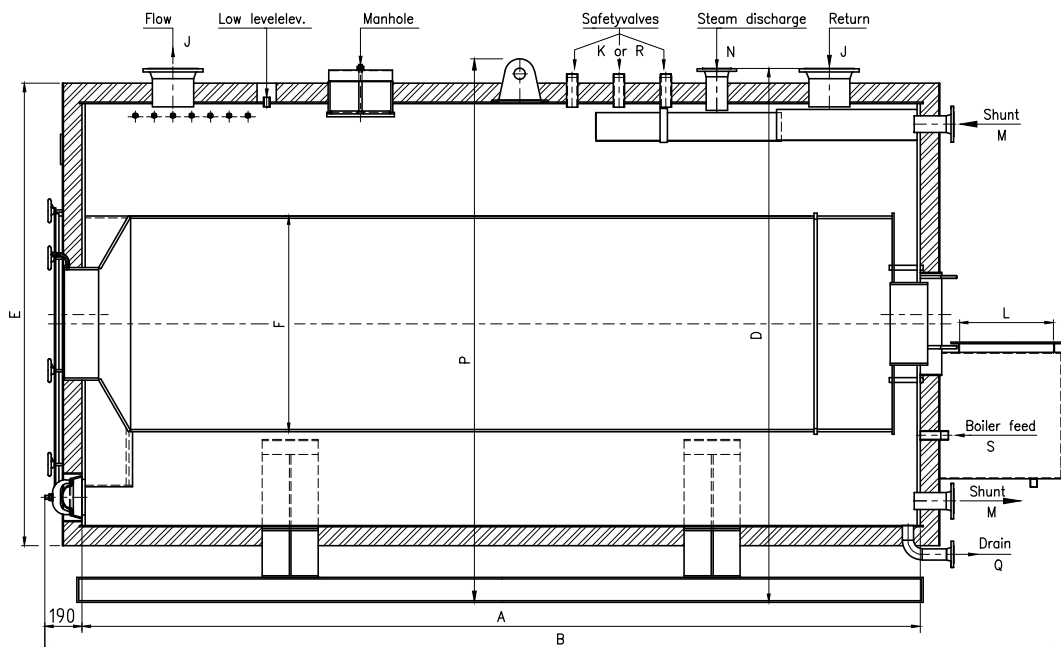
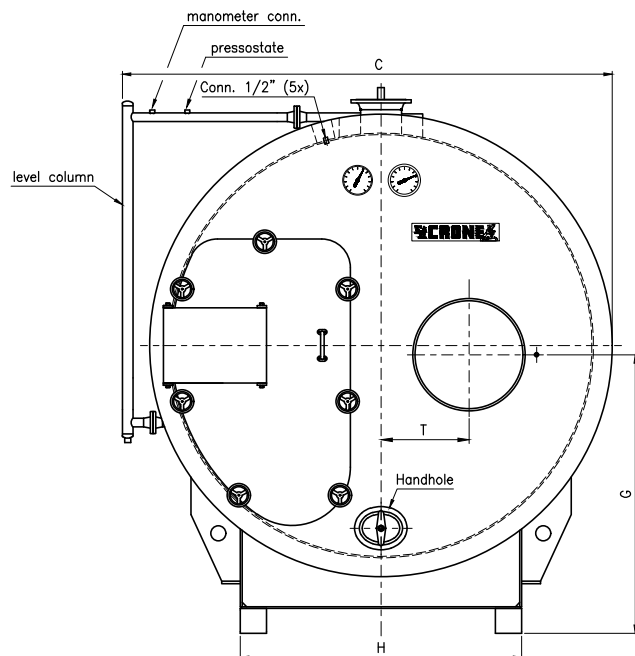


BOILER TYPE CLM ASME



Boiler Type	Capacity kW	Steamcap. kg.st/h	Watercap. Liter	Weight kg	H.S. m2	Gassed Volume m3	Gassed resist. mmwk	A	B	C	D	E	F	G	H	J	K	L	M	N	P	Q	R	S	T
CLM 40	960-1200	1580	5.200	4.560	40	2,2	38-60	3570	4265	1990	2250	1870	800	1183	1000	5"	2x2"	300	2"	5"	2300	2"	2x2"	1 1/2"	340
CLM 50	1200-1500	1975	6.140	5.700	50	2,7	35-55	3570	4315	2120	2400	2020	880	1258	1000	5"	2x2"	350	2 1/2"	6"	2450	2"	2x2"	1 1/2"	385
CLM 60	1500-1800	2370	8.290	7.010	60	3,6	40-58	4470	5265	2270	2470	2090	900	1295	1250	6"	2x2"	400	2 1/2"	6"	2520	2"	2x2"	1 1/2"	400
CLM 75	1800-2400	3160	9.780	8.000	75	4,5	35-62	4470	5315	2450	2660	2270	1000	1390	1250	6"	2x2 1/2"	450	2 1/2"	8"	2710	2"	2x2"	1 1/2"	445
CLM 95	2400-3000	3950	11.790	9.250	95	5,9	38-60	4470	5365	2680	2880	2500	1150	1495	1500	8"	2x2 1/2"	500	3"	8"	2930	2"	2x2"	2"	485
CLM115	3000-3600	4740	12.970	10.860	115	6,7	38-55	4470	5415	2790	3000	2620	1200	1555	1500	8"	2x3"	550	4"	8"	3050	2"	3x2"	2"	520
CLM130	3600-4200	5530	15.790	13.330	130	8,3	50-68	5470	6465	2790	3020	2620	1200	1570	1500	8"	2x3"	600	4"	10"	3070	2"	3x2"	2"	520
CLM145	4200-4800	6320	17.080	14.100	145	9,0	50-65	5470	6465	2810	3120	2720	1250	1624	1700	8"	2x3"	600	4"	10"	3170	2"	3x2"	2"	545
CLM155	4800-5400	7110	18.190	14.820	155	10,2	60-76	5470	6515	2990	3220	2820	1350	1674	1700	10"	2x3"	650	4"	10"	3270	2"	4x2"	2"	545
CLM170	5400-6000	7900	19.350	16.640	170	11,0	60-75	5470	6565	3090	3320	2920	1400	1742	1800	10"	3x3"	700	4"	12"	3360	2"	4x2"	2"	570
CLM185	6000-6600	8690	21.740	17.520	185	12,7	65-80	5770	6865	3190	3430	3020	1450	1841	1800	10"	3x3"	700	4"	12"	3480	2"	5x2"	2"	595
CLM200	6600-7200	9480	23.850	18.410	200	13,4	68-80	5770	6865	3290	3540	3120	1500	1893	1800	10"	3x3"	700	5"	12"	3590	2"	5x2"	2"	615
CLM220	7200-8400	11060	26.370	20.040	220	16,0	65-90	5970	7115	3440	3690	3270	1600	1968	2000	10"	3x3"	750	5"	14"	3740	2"	6x2"	2"	640
CLM250	8400-9600	12640	29.520	21.950	250	17,8	75-98	6670	7865	3450	3690	3270	1600	1968	2000	10"	4x3"	800	5"	14"	3740	2 1/2"	7x2"	2"	640
CLM275	9600-10800	14220	30.500	23.200	275	18,4	75-98	6670	7915	3475	3740	3320	1600	1991	2000	12"	4x3"	850	5"	16"	3790	2 1/2"	7x2"	2"	665



- Flange connections are 150Lbs according ANSI B 16.5
- The hotwater boiler has no level column and no steam discharge.
- Safety valve connections according 3000 Lbs NPT (female)
- The safety valves needed for steam boilers are acc. tabel K
- Feed connections according 3000 Lbs NPT (male)
- The safety valves needed for hotwater boilers are acc. tabel R
- All boilers are provided with a 3/4" lowlevel electrode connection (female)
- The boilers are provided with 2 lifting lugs.

Modifications reserved 01-2017

Grote Esch 400
2841 MJ Moordrecht (NL)

Tel. +31(0)182 614482
fax +31(0)182 633257

e-mail : info@fhcrone.nl
website : www.fhcrone.eu